

Point-to-Point 25km Backhaul Radio Surveillance Backhaul Made Easy

Incredible performance

Narrow Beam width 5MHz/ 10MHz



500+
Mbps

WIS-D525ACPro is a 500Mbps+ 2*2MIMO Hi-Power outdoor wireless bridge based on 802.11a/n/ac technology. Featuring the revolutionary TDMA3 Intelligent Dynamic Polling Protocol technology, WIS-D525ACPro is fully compatible with WIS base station and bridge thus greatly improving the networks capability in throughput and latency. WIS-D525ACPro is best applied to rural wireless Internet, wireless backhaul and other industrial wireless surveillance solutions.

WIS new WIS-D525ACPro 500+ Mbps throughput - a result of powerful hardware platform with 802.11ac technology based radio. Incorporating a QCA 9563 CPU (750 MHz), a QCA 9882 radio and 64 MBytes of RAM and 16MBytes of flash memory the, WIS-D525ACPro series devices are an ideal solution for capacity demanding applications.

State of the art RF design with great output power and sensitivity parameters improve range and capacity over highest the modulation - 256 QAM. The Gigabit Ethernet PoE allows utilizing the full capacity of the radio when used in a point-to-point or point-to-multi-point network design.

Features

- Incredible Long Range
- Upto 28dBm Tx Power
- 25dBi MIMO Disc antenna
- Wireless Speed 500+Bandwidth
- Narrow Beam width 5MHz/ 10MHz
- Noise Free, Zero Interference
- IP66 Waterproof
- 25km Availability



WIS-WIS-D525ACPro is a high-performance, high-speed outdoor long-distance wireless bridge with characteristics such as long transmission distance, strong penetration ability, and strong anti-interference ability. just called as zero interference Product.



Full Feature & Performance

- Full Wis OS Support
- Auto-Distance Adjust
- 25km+Availability
- Fully Managed by WIS Software

Wireless Solutions for Surveillance

- Gigabit PoE
- IP66 Waterproof
- Multiple mounting methods
- Extremely Amazing Performance
- ESD & Surge Protection

Point to Point Solution



25 dBi Directional 2X2 MIMO Antenna



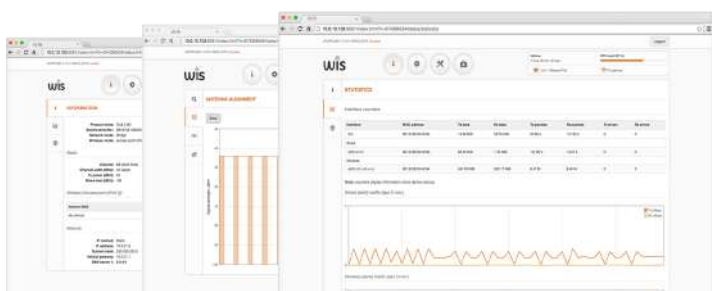
15 KV ESD & 4KV Lightning Protection



Narrow Beam 5MHz/10MHz

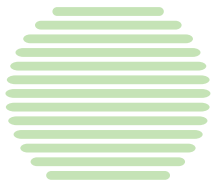


Centralized Management



Powerfull OS

The Wis OS is a highly functional and easy to use operating system embedded in all WIS hardware devices for effortless setup and trouble free operation. High performance (500 Mbps) allows offering more bandwidth together with additional services such as VoIP and IPTV. This is possible when using WIS's smart QoS mechanism and multicast traffic enhancements for triple play services. Such services are essential for all next generation service providers to complement their existing portfolios. WIS's proprietary transmission protocol, ensures smooth performance with a high number of clients even in noisy environments.



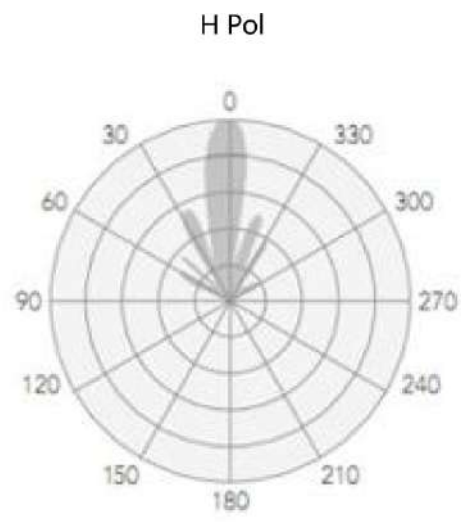
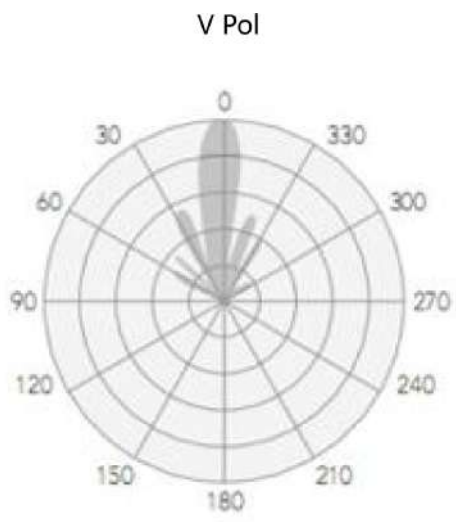
Specification

Model	WIS-D525ACPro				
CPU	QCA9563+QCA9882+QCA8334				
Flash	SPI NOR 16MB				
DDR2	64MB				
5G Band	5.150GHz~5.850GHz				
5G WIFI Protocol	802.11 a / n /ac				
Maximum rate	900Mbps				
Antenna	Integrated 25dBi dual polarization dish antenna				
5G Tx power	802.11 a	54M	23 ± 2dBm	6M	26 ± 2dBm
	802.11 n HT20	MCS7	22 ± 2dBm	MCS0	26 ± 2dBm
	802.11 n	MCS7	22 ± 2dBm	MCS0	26 ± 2dBm
	HT40				
	802.11 ac VHT20	MCS9	21 ± 2dBm	MCS0	26 ± 2dBm
5G Receiving sensitivity	802.11 ac VHT40	MCS9	21 ± 2dBm	MCS0	26 ± 2dBm
	802.11 ac VHT80	MCS9	21 ± 2dBm	MCS0	26 ± 2dBm
	802.11 a	54M	-75dBm	6M	-92dBm
	802.11 n HT20	MCS7	-72dBm	MCS0	-90dBm



5G EVM	802.11a_54M: ≤ -25 dB; 802.11n_MCS7: ≤ -28 dB; 802.11AC_MCS9: ≤ -32 dB
frequency deviation (ppm)	± 20 ppm
Port (WAN)	1*10/100/1000M WAN, support 48V POE
Port (LAN)	1*10/100/1000M LAN
Supply	802.3af, DC 12~24V
Consumption	<10W
Reset Button	Long press for 6-10 seconds to restore factory default configuration
LED	SYS, WAN, LAN, 5G WIFI, signal*4
Size	$\Phi 466$ mm*260mm
Weight	2.9KG
Environment	Operating temperature: -40°C to 70°C Storage temperature: -40°C to 70°C ; humidity: 5% ~ 95% (No condensation)
IP grade	IP66
ESD	Air +/-15K, Contact +/-6K
Lightning Protection	4kV

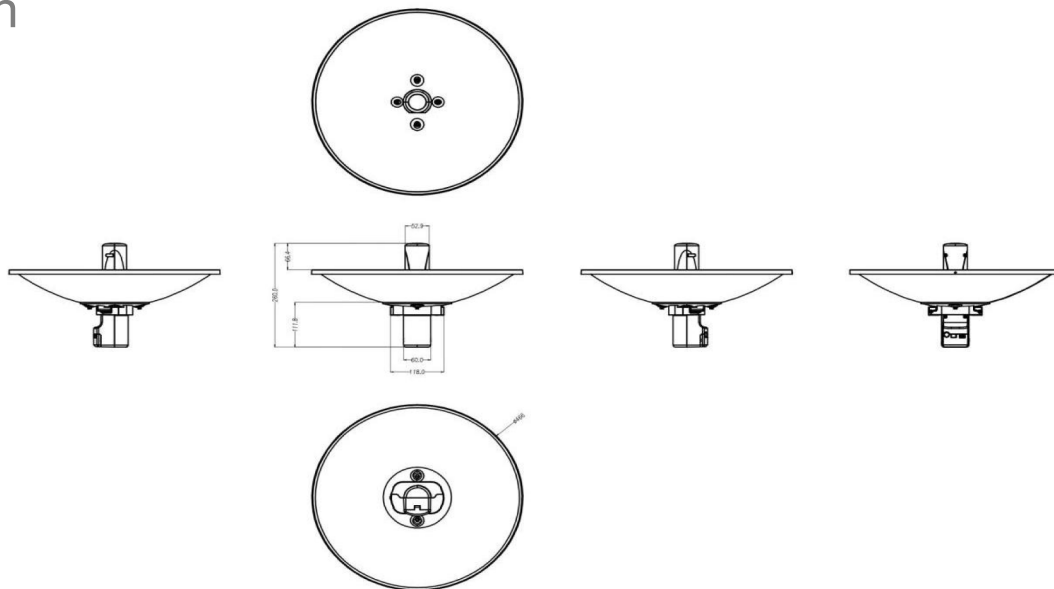
Antenna Specification





Internal antenna	
Frequency range	5180 ~5850 MHz
Gain	25 dBi
Polarization	Dual linear
Cross-pol Isolation	30 dB
VSWR	<1.8
Azimuth beamwidth(H pol)	6°
Azimuth beamwidth(V pol)	6°

Dimension



ORDERING INFORMATION

WIS-D525ACPro

5GHz Outdoor Long distance PTP Bridge



*Product specifications and availability are subject to change without notice

